

Vacuum generators for all applications



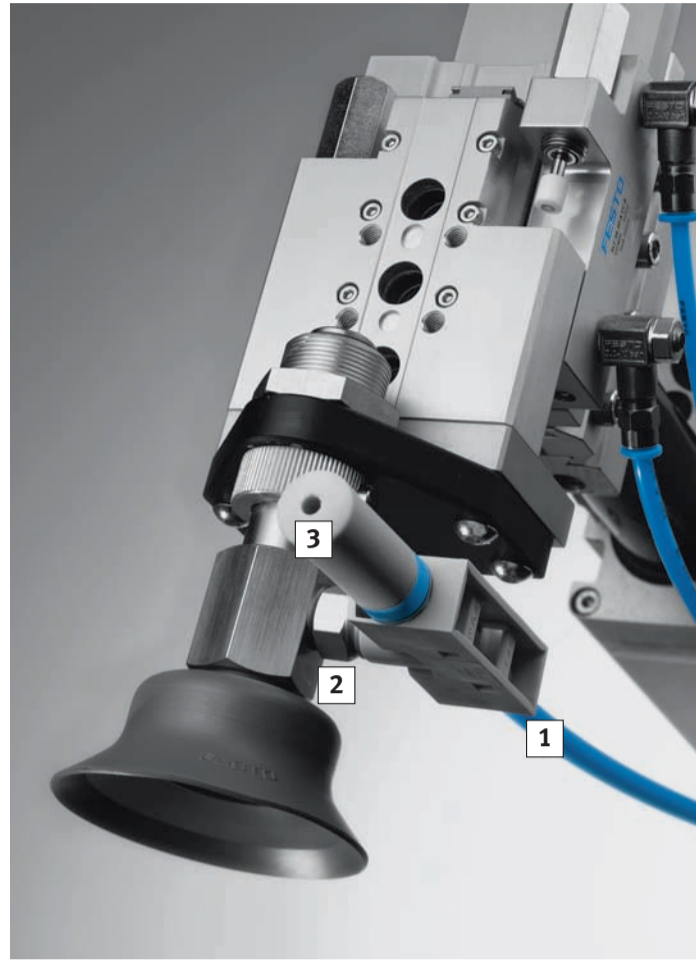
This poster will help you to choose the right vacuum ejector for your application – and thus ensure that you can continue in the future to generate vacuum economically, reliably and conveniently.

For conventional applications: vacuum generator VN

Short evacuation time

Thanks to its lightweight, compact design, the vacuum generator can be used in close proximity to the gripper. The volume to be evacuated can thus be drastically reduced due to shorter tubing lengths.

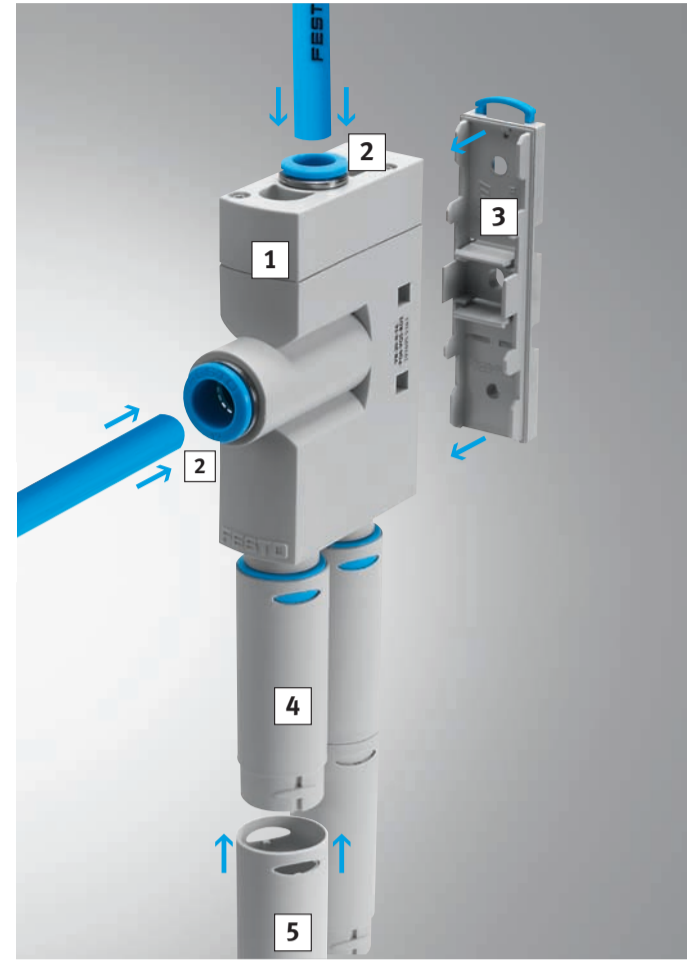
- 1 Compressed air supply
- 2 Vacuum connection to the suction cup
- 3 Open silencer



Easy to install

Thanks to an integrated design in comparison with vacuum pumps, there's no need to install a reservoir, long lengths of tubing or additional vacuum valves. Integrated push-in fittings enable simple pneumatic installation of the ejector.

- 1 VN-20... vacuum generator
- 2 Integrated quick push-in fittings
- 3 Mounting plate
- 4 UOM open silencer
- 5 UOMS silencer extension



Reliable operation

An open silencer ensures low noise, maintenance-free operation.

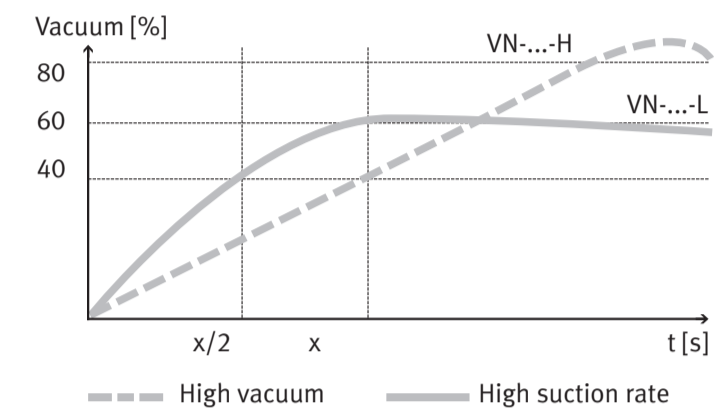
The integrated vacuum sensor registers when workpieces have been picked up and monitors their transport.



Workpiece registered
Teach-in function

High suction flow rate

Reliable transport, even of porous materials, is ensured with the help of Festo's special VN...-L vacuum generators which are designed for high suction flow rates.



For condition monitoring: vacuum generator OVEM

One for all

All functions are integrated into a single, space-saving and practical unit that can be operated from one side.

Electrical connection
Easy installation thanks to M12 multi-pin plug

Everything under control
LCD display, both numeric and as bar graphs, for continuous monitoring of all important values

Intuitive operation
All parameters are set with just 3 buttons.

Safe handling
Controllable force of the ejector pulse results in safe and precise placement, as well as optimised cycle times.

Nearly maintenance-free
An open silencer and a filter with viewing window make for a low noise, maintenance-free operation.



Pneumatic connection
Simple installation thanks to push-in fitting or female thread.

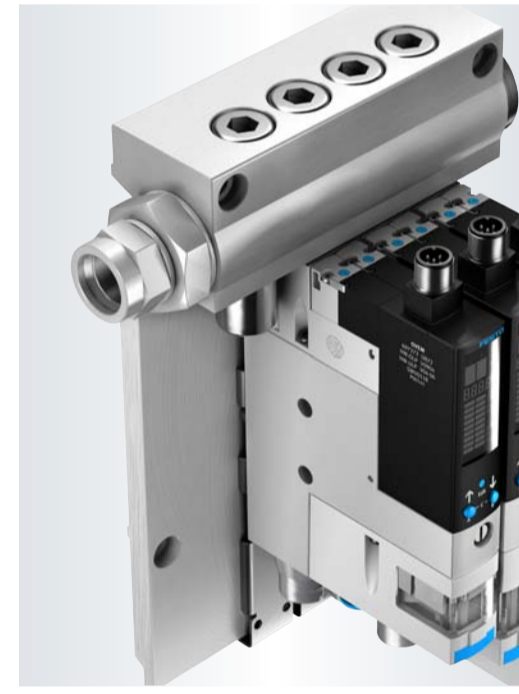
Energy efficient
Reliable, energy-efficient transport is ensured by means of an integrated non-return valve and an air saving function.

Optimised evacuation time
Jet nozzles are available with diameters of 0.45, 0.7, 0.95 and 1.4 mm.

Powerful vacuum
Up to 85 % vacuum

Simple to install, easy to maintain

A compact design without protruding elements – such as valves and vacuum switches – facilitates a space-saving installation.



The OVEM can be mounted on common p-manifolds or conventional H-rails.



At one end, the integrated filter has an inspection window to indicate the degree of contamination.

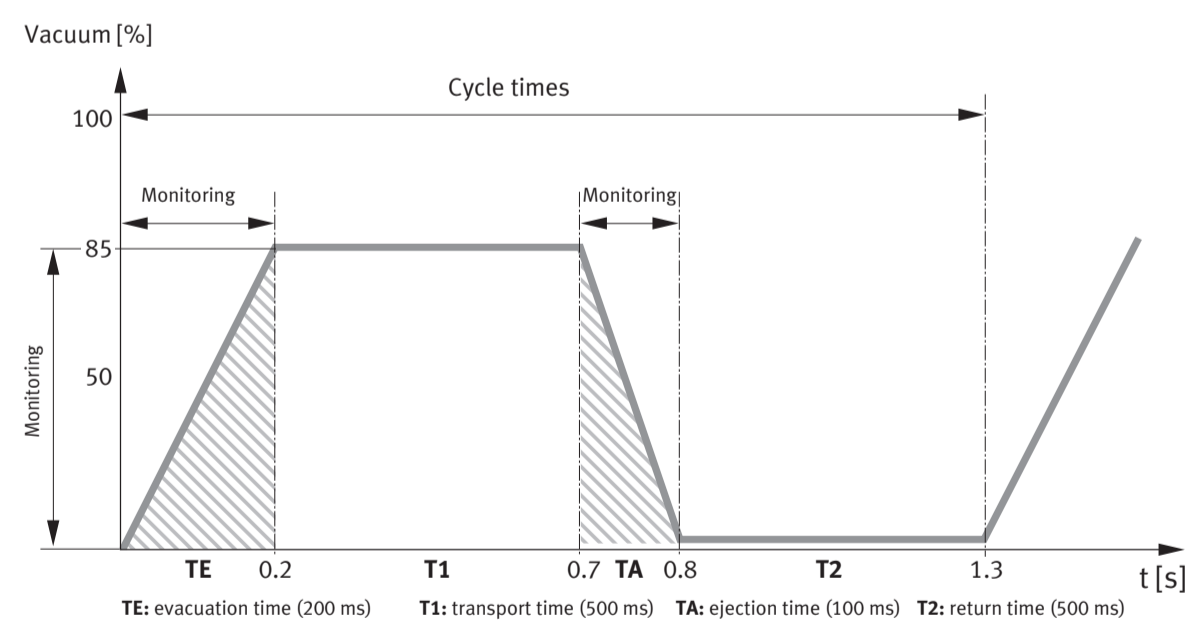


At the other, an open silencer ensures low noise operation, without any danger of clogging.

Shorter cycle times

The vacuum level can be read and analysed numerically as well as via bar graphs from the LCD display during dynamic operation.

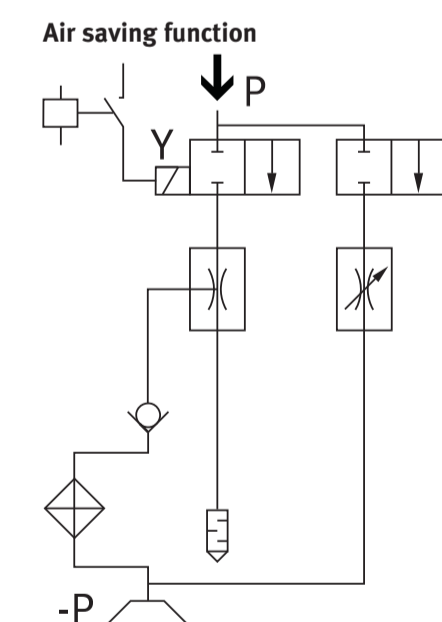
Furthermore: Monitoring and analysis of evacuation and ejection time. Maintenance measures based on these factors increase process reliability.



Improved energy efficiency

Laval nozzles with four different diameters and two types of vacuum generators for powerful vacuum and high volumetric flow rates provide precision dimensioning of the vacuum generator. Furthermore, an open silencer and the compact design of the OVEM increase the efficiency of the vacuum ejector. Intelligent design – always aiming for maximum energy efficiency.

Thanks to the integrated non-return valve and the air saving function, air consumption can already be reduced during transport by shutting off the compressed air supply.



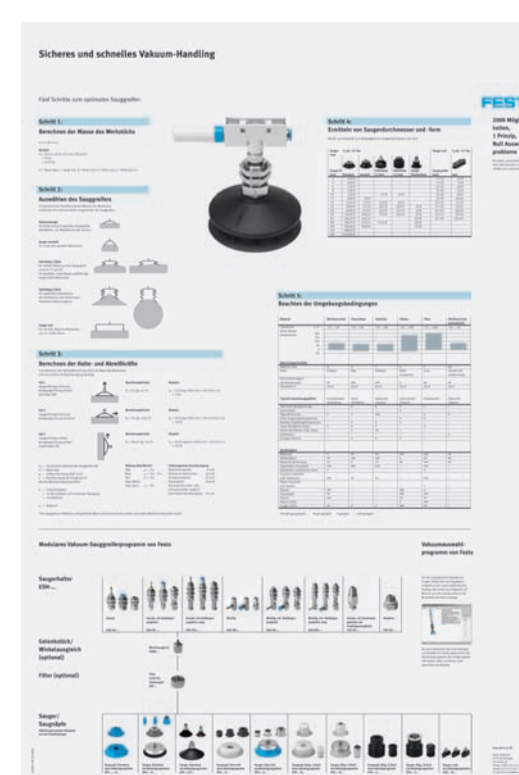
+ optimised Laval nozzle



Overview of the vacuum range

		VAD	VN	VAK	VN-P	OVEM
Economical	Air saving function	-	-	-	-	•
	H/L vacuum generators	•/•	•/•	•/•	•/•	•/•
	Nozzle diameter (mm)	0.5 ... 1.5	0.45 ... 3	1	0.45 ... 0.95	0.45 ... 1.4
	Vacuum on/off	-	-	-	-	-
Reliable	Compact, minimal weight	•	•	•	•	•
	Monitoring of workpiece transport	-	-	-	-	•
	Ejector pulse, reliable placement	-	-	•	-	•
	Monitoring of evacuation time and the ejector pulse	-	-	-	-	•
Easy to operate	Minimal environmental impact thanks to silencer	-	•	-	•	•
	Minimal maintenance thanks to open silencer/filter	-	•/•	-	•/•	•/•

Further information



Selection poster for vacuum suction grippers



Brochure: "Info 427 – vacuum generator" OVEM



Selection software in the electronic catalogue or at www.festo.de/catalogue



DCI electronic catalogue on CD or at www.festo.com

www.festo.com

Festo AG & Co. KG

P.O. Box
73726 Esslingen
Germany
Phone +49 711 347-0
Fax +49 711 347-2144
service_international@festo.com
www.festo.com