



## Powerful, lightweight, inexpensive Service unit component series MS Basic

Filter regulators MS-LFR-B



- Pneumatic connection 1, 2:  
G1/4, G1/2
- Standard nominal flow rate:  
1500 ... 1800 l/min, 4200 l/min

Pressure regulators MS-LR-B



- Pneumatic connection 1, 2:  
G1/4, G1/2
- Standard nominal flow rate:  
2000 l/min, 5800 l/min

The MS Basic in a robust polymer housing offers you attractively priced basic components focused on the most important technical functions of compressed air preparation.

And it is fully compatible with the MS series. This allows you to create the best possible mix of low-cost basic functions and any high-end functions you need.

- Fully compatible with the MS series
- Can be individually combined
- Lightweight thanks to modern polymer materials
- Low cost
- Easy to use

### Selection and ordering

Check our electronic catalogue for the components and solutions we offer.

→ [www.festo.com/xdki](http://www.festo.com/xdki)

Or simply contact your Festo sales engineer, who will be happy to help you.

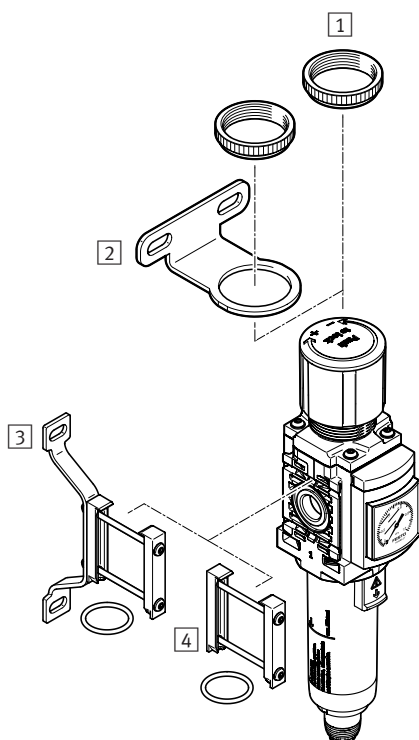
## Order code

001	002	003	004	005	006	007	008	009	010	011
MS		LFR		D6	E	P		AG		B

<b>001</b>	<b>Series</b>	<b>007</b>	<b>Bowl type</b>
MS	MS series	P	Polymer
<b>002</b>	<b>Size</b>	<b>008</b>	<b>Condensate drain</b>
4	Grid dimension 40 mm	M	Manual
6	Grid dimension 62 mm	VC	Fully automatic, normally closed
<b>003</b>	<b>Function</b>	<b>009</b>	<b>Pressure gauge alternatives</b>
LFR	Filter regulator	AG	MS pressure gauge
<b>004</b>	<b>Pneumatic connection</b>	<b>010</b>	<b>Alternative pressure gauge scale</b>
1/4	Female thread G1/4	BAR	bar/psi
1/2	Female thread G1/2	MPA	MPa
<b>005</b>	<b>Pressure regulation range</b>	<b>011</b>	<b>Version</b>
D6	0.3 ... 7 bar	B	Basic
<b>006</b>	<b>Grade of filtration</b>		
E	40 µm		

## Ordering data

Pneumatic connection	Condensate drain	Pressure gauge scale	Part no.	Type
Size 4: pressure regulation range 0.3 ... 7 bar, grade of filtration 40 µm, with condensate drain, with MS pressure gauge				
G1/4	Manual	bar/psi	8098258	MS4-LFR-1/4-D6-E-P-M-AG-BAR-B
		MPa	8098254	MS4-LFR-1/4-D6-E-P-M-AG-MPA-B
	Fully automatic	bar/psi	8098264	MS4-LFR-1/4-D6-E-P-VC-AG-BAR-B
		MPa	8098256	MS4-LFR-1/4-D6-E-P-VC-AG-MPA-B
Size 6: pressure regulation range 0.3 ... 7 bar, grade of filtration 40 µm, with condensate drain, with MS pressure gauge				
G1/2	Manual	bar/psi	8098304	MS6-LFR-1/2-D6-E-P-M-AG-BAR-B
		MPa	8098307	MS6-LFR-1/2-D6-E-P-M-AG-MPA-B
	Fully automatic	bar/psi	8098312	MS6-LFR-1/2-D6-E-P-VC-AG-BAR-B
		MPa	8098305	MS6-LFR-1/2-D6-E-P-VC-AG-MPA-B



- 1 Nut MS...-WRS, for front panel mounting → page 4
  - 2 Mounting bracket MS...-WR-B, for wall mounting → page 4
  - 3 Wall mounting kit MS...-WPE-B, for connecting the modules for wall mounting → page 4
  - 4 Module connector MS...-MV1 → page 4
- Filter cartridge MS...-LFP1 → page 4

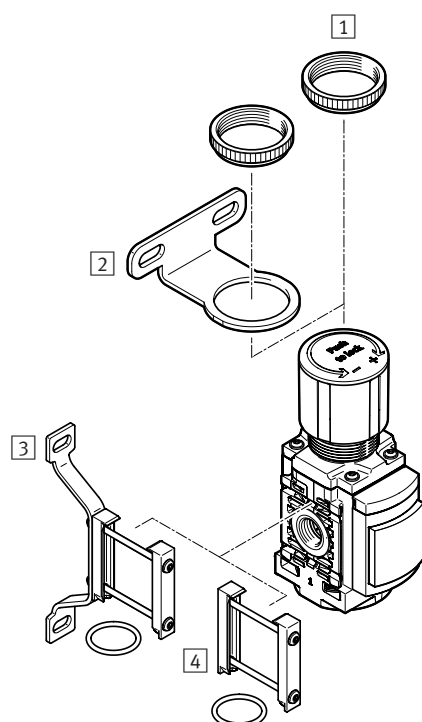
## Order code

001	002	003	004	005	006	007	008
MS		LR		D6	AG		B

<b>001</b>	<b>Series</b>	<b>006</b>	<b>Pressure gauge alternatives</b>
MS	MS series	AG	MS pressure gauge
<b>002</b>	<b>Size</b>	<b>007</b>	<b>Alternative pressure gauge scale</b>
4	Grid dimension 40 mm	BAR	bar/psi
6	Grid dimension 62 mm	MPA	MPa
<b>003</b>	<b>Function</b>	<b>008</b>	<b>Version</b>
LR	Pressure regulator	B	Basic
<b>004</b>	<b>Pneumatic connection</b>		
1/4	Female thread G1/4		
1/2	Female thread G1/2		
<b>005</b>	<b>Pressure regulation range</b>		
D6	0.3 ... 7 bar		

## Ordering data

Pneumatic connection	Pressure gauge scale	Part no.	Type
Size 4: pressure regulation range 0.3 ... 7 bar, with MS pressure gauge			
G1/4	bar/psi	8099358	MS4-LR-1/4-D6-AG-BAR-B
	MPa	8099359	MS4-LR-1/4-D6-AG-MPA-B
Size 6: pressure regulation range 0.3 ... 7 bar, with MS pressure gauge			
G1/2	bar/psi	8099205	MS6-LR-1/2-D6-AG-BAR-B
	MPa	8099204	MS6-LR-1/2-D6-AG-MPA-B



- 1 Nut MS...-WRS, for front panel mounting → page 4
- 2 Mounting bracket MS...-WR-B, for wall mounting → page 4
- 3 Wall mounting kit MS...-WPE-B, for connecting the modules for wall mounting → page 4
- 4 Module connector MS...-MV1 → page 4

**1 Nut MS...-WRS**

Size	Part no.	Type
For front panel mounting		
4	<b>532187</b>	<b>MS4-WRS</b>
6	<b>532188</b>	<b>MS6-WRS</b>

**4 Module connector MS...-MV1**

Size	Part no.	Type
For connecting the modules		
4	<b>8119201</b>	<b>MS4-MV1</b>
6	<b>8119204</b>	<b>MS6-MV1</b>

**2 Mounting bracket MS...-WR-B**

Size	Part no.	Type
For wall mounting, knurled nut included in scope of delivery		
4	<b>8149680</b>	<b>MS4-WR-B</b>
6	<b>8149681</b>	<b>MS6-WR-B</b>

**Filter cartridge MS4-LFP1-E**

Size	Part no.	Type
Grade of filtration 40 µm		
4	<b>8129062</b>	<b>MS4-LFP1-E</b>

**3 Wall mounting kit MS...-WPE-B**

Size	Part no.	Type
For connecting the modules for wall mounting		
4	<b>8118600</b>	<b>MS4-WPE-B</b>
6	<b>8118599</b>	<b>MS6-WPE-B</b>