

Electrical connection technology, for power supply

Technical data – NTSD

- Plug/socket for power supply
- Can be fabricated with any cable lengths
- 4-pin plug socket
- With screw terminals
- Wire cross section of up to 2.5 mm²



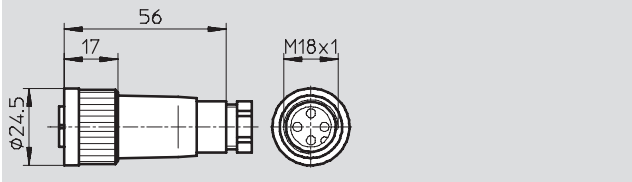
General technical data	
Type	NTSD-...
Type of mounting	M18 union nut
Mounting position	Any
Operating voltage range [V]	250 AC
Current-carrying capacity [A]	16
Protection class to EN 60 529	IP67 (assembled), IEC/EN 61984
Material of housing	Polybuteneterephthalate
Material of contacts	Brass/copper base alloy
Storage temperature [°C]	-20 ... +70
Ambient temperature [°C]	-5 ... +50

Ordering data							
	Electrical connection	Cable gland fitting	Permissible cable diameter [mm]	Max. wire cross section [mm ²]	Product weight [g]	Type	Part No.
	Socket, straight, 4-pin, screw terminal	Pg9	6 ... 8	1.5	25	NTSD-GD-9	18 493
	Socket, straight, 5-pin, screw terminal, B-coded	Pg9	6 ... 8	0.75	25	NTSD-GD-9-M12-5POL-RK	538 999
	Socket, straight, 4-pin, screw terminal	Pg13.5	10 ... 12	2.5	31	NTSD-GD-13,5	18 526
	Socket, angled, 4-pin, screw terminal	Pg9	6 ... 8	1.5	30	NTSD-WD-9	18 527
	Socket, angled, 4-pin, screw terminal	Pg11	5 ... 11	2.5	34	NTSD-WD-11	533 119

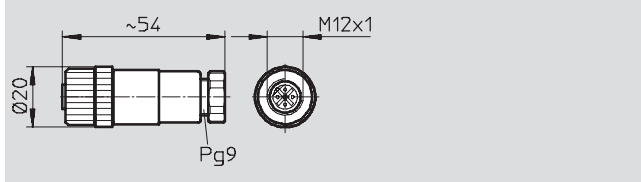
Dimensions

Download CAD data → www.festo.com

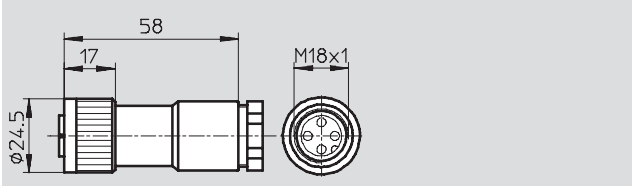
NTSD-GD-9



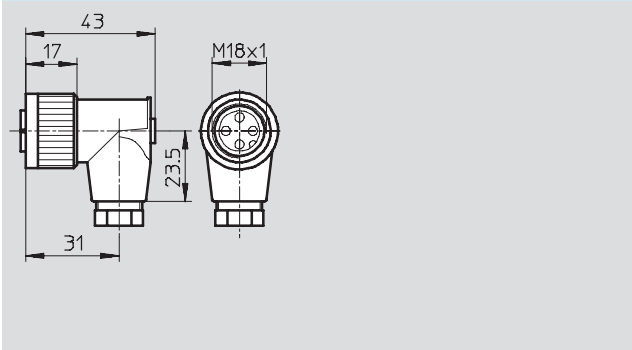
NTSD-GD-9-M12-5POL-RK



NTSD-GD-13,5



NTSD-WD-9



NTSD-WD-11

